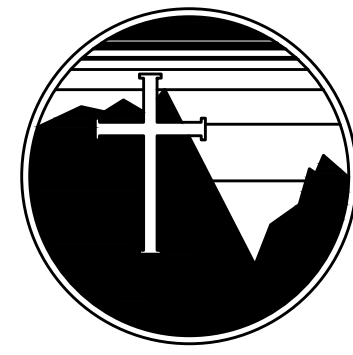


# TOWN OF MEEKER, CO

## Street Repairs: Main, Cleveland, Garfield, & Twelfth

PREPARED BY:



**MOUNTAIN CROSS ENGINEERING, INC.**  
 Civil and Environmental Consulting and Design  
 826 1/2 Grand Avenue Glenwood Springs, CO 81601  
 ph 970.945.5544 fx 970.945.5558 www.mountaincross-eng.com

**SurvCo, Inc.**

PO Box 2782, Glenwood Springs, CO 81602  
 PHONE: (970) 945-5945 CELL: (970) 379-7399



Know what's below.  
 Call before you dig.

**LEGEND**

- EXISTING FIRE HYDRANT
- EXISTING WATER METER
- EXISTING WATER VALVE
- EXISTING CURB VALVE
- UTILITY BOX
- SIGN
- MAIL BOX
- MANHOLE
- STREET LIGHT
- POWER POLE
- GYE POLE
- STORM DRAIN CATCH BASIN
- GAS LINE
- POWER
- SEWER LINE
- STORM DRAIN
- FIBER/PHONE LINE
- EXISTING WATER LINE

UTILITY CONTACTS:

SEWER: MEEKER SANITATION DISTRICT  
 RACHEL WILLEY #(970) 878.5192

WATER: TOWN OF MEEKER  
 TOBEY WILLEY #(970) 878.5530

PHONE/INTERNET: LUMEN  
 AL PEREZ #(970) 589.4536

FIBER: RIO BLANCO COUNTY  
 ERIC JAQUEZ #(970) 878.9545

GAS: ATMOS ENERGY  
 DON CRANE #(970) 879.3223  
 ROGER WHITAKER #(970) 629.2040

POWER: WHITE RIVER ELECTRIC  
 BRETT BERTHELSON #(970) 878.5041  
 KIRK HOSSACK #(970) 319.7473

**DRAWING LIST:**

- C1 Cover Sheet**
- C2 Cleveland Street**
- C3 Garfield Street & Main Street**
- C4 Twelfth Street**
- C5 Details**

GENERAL NOTES:

1. ALL EXISTING IMPROVEMENTS, INCLUDING SIDEWALKS, PAVEMENT, TURF GRASS, LANDSCAPING, CULVERT PIPES, SIGNS, MAILBOXES, DRAINAGE, ETC. SHALL BE RETURNED TO THEIR ORIGINAL CONDITION.
2. ROAD CLOSURES AND SIGNAGE TO BE BY MUTCD.
3. EXISTING UTILITY LINE LOCATIONS SHOWN ARE APPROXIMATE, BASED UPON MAPPING PROVIDED BY THE RESPECTIVE UTILITY COMPANIES. THE CONTRACTOR SHALL VERIFY ALL UTILITY LOCATIONS.
4. ALL DISTURBED EMBANKMENT AREAS SHALL BE SEEDED AND MULCHED; EXISTING TURF GRASS SHALL BE REPLACED WITH SOD. FINISH GRADING SHALL MAINTAIN DRAINAGE.
5. MINIMIZE THE TIME THAT DRIVEWAY ACCESSSES ONTO THE STREET ARE CLOSED. PROVIDE ALTERNATIVE ACCESS WHERE FEASIBLE.
6. CONSTRUCTION MAY CLOSE ONLY ONE INTERSECTIONS AT A TIME.
7. ONLY TWO, NON-CONSECUTIVE INTERSECTIONS MAY BE CLOSED AT ANY TIME.
8. BENCH MARKS, IF NECESSARY, TO BE LOCATED BY SURVCO: (970) 945-5945.
9. ACCORDING TO COLORADO LAW YOU MUST COMMENCE ANY LEGAL ACTION BASED UPON ANY DEFECT IN THIS SURVEY WITHIN THREE YEARS AFTER YOU FIRST DISCOVER SUCH DEFECT. IN NO EVENT, MAY ANY ACTION BASED UPON ANY DEFECT IN THIS SURVEY BE COMMENCED MORE THAN TEN YEARS FROM THE DATE SHOWN HEREON.

**MOUNTAIN CROSS ENGINEERING, INC.**  
 Civil and Environmental Consulting and Design  
 826 1/2 Grand Avenue Glenwood Springs, CO 81601  
 ph 970.945.5544 fx 970.945.5558 www.mountaincross-eng.com



**Town of Meeker  
 Street Repairs  
 Cover Sheet**



| REVISIONS | DATE | BY | COMMENTS |
|-----------|------|----|----------|
|           |      |    |          |
|           |      |    |          |
|           |      |    |          |

DATE 03/23/26

SCALE 1"=20'

ENGINEER C. HALE

DWG FILE StreetRepairs

JOB 319-063

SHEET

**C1**

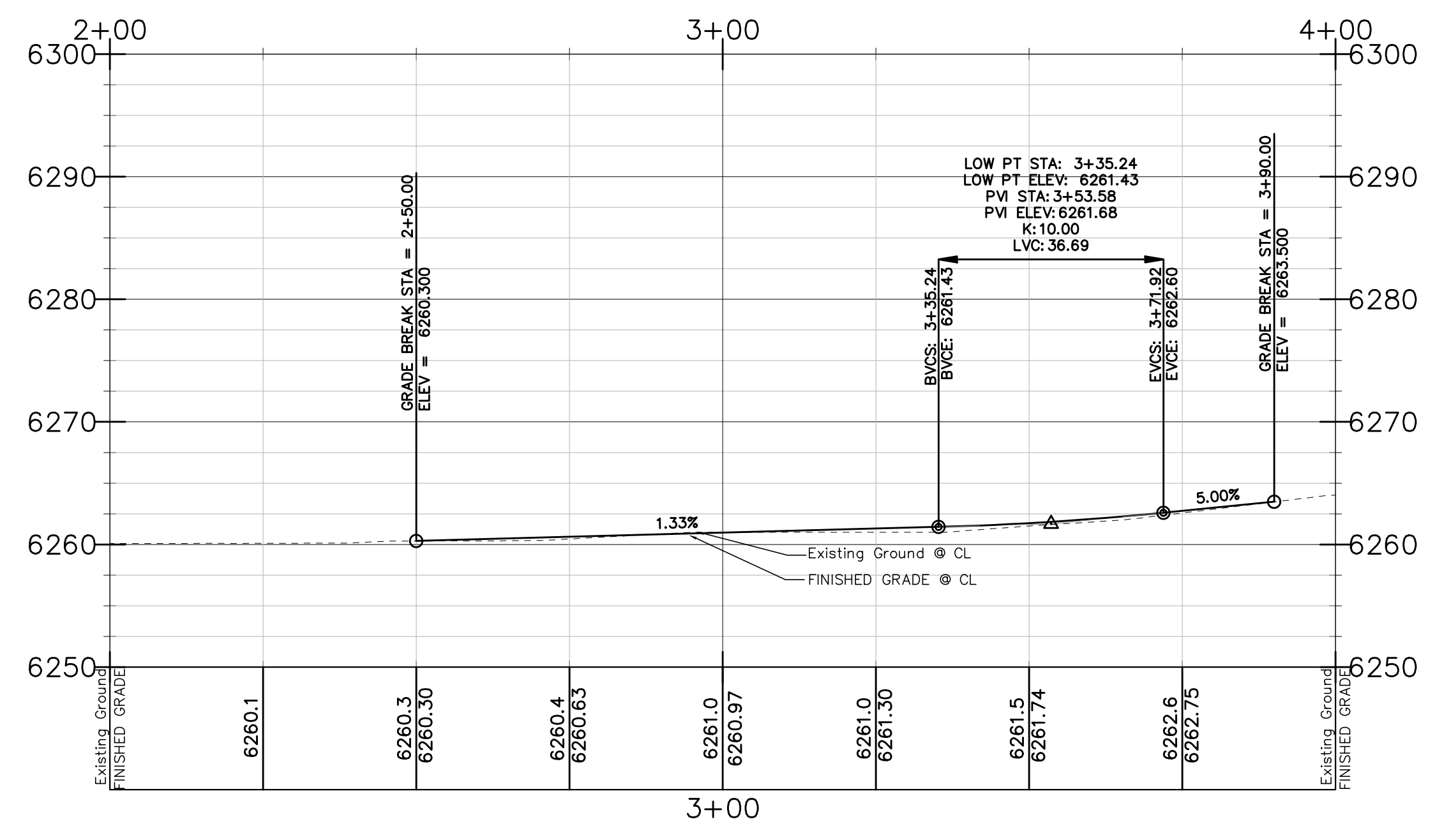
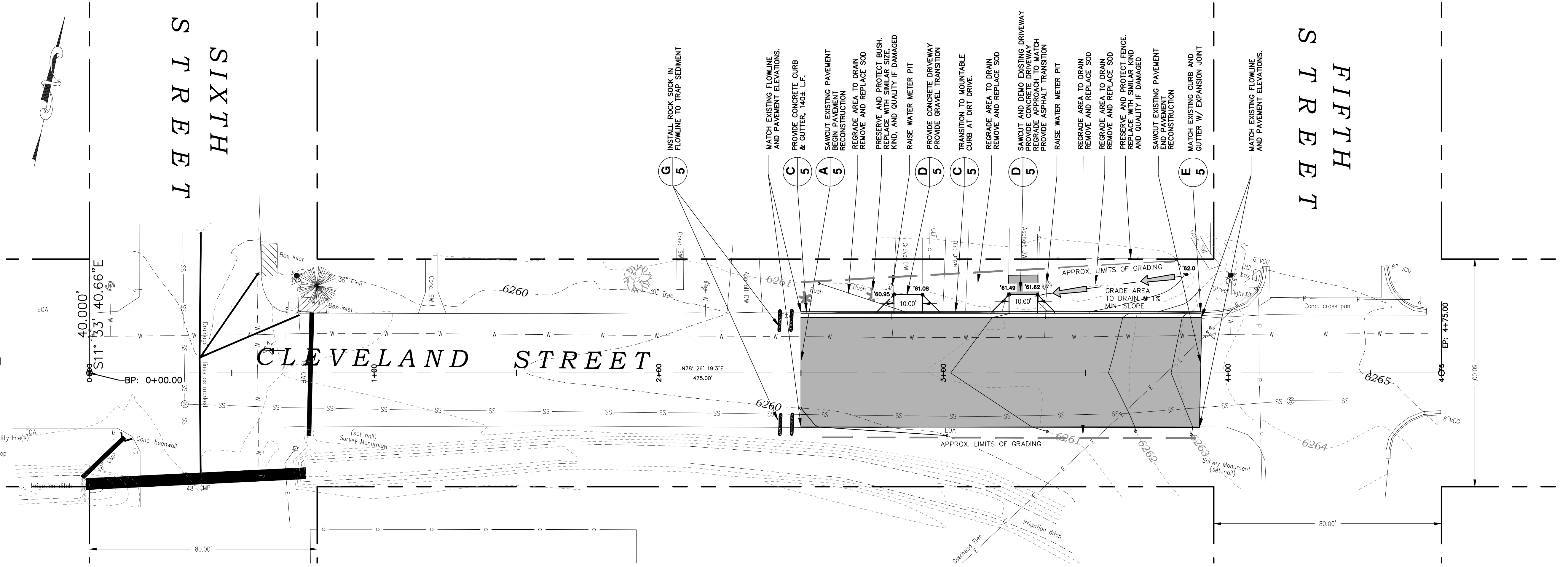


Know what's below.  
Call before you dig.

SCALE: 1" = 20'

LEGEND

- PAVEMENT RECONSTRUCTION
- G Buried gas line
- FO Buried fiber optic line
- W Buried water line
- SS Buried sanitary sewer line
- E Buried or overhead electric/utility line(s)
- Water shut of valve / curb stop
- Water meter pit
- Water valve
- Existing fire hydrant
- Utility pole
- Street sign
- Sanitary sewer manhole



| DATE | BY | COMMENTS |
|------|----|----------|
|      |    |          |
|      |    |          |

REVISIONS

DATE: 03/23/26

SCALE: 1"=20'

ENGINEER: C. HALE

DWG FILE: StreetRepairs

JOB: 319-063

SHEET: C2

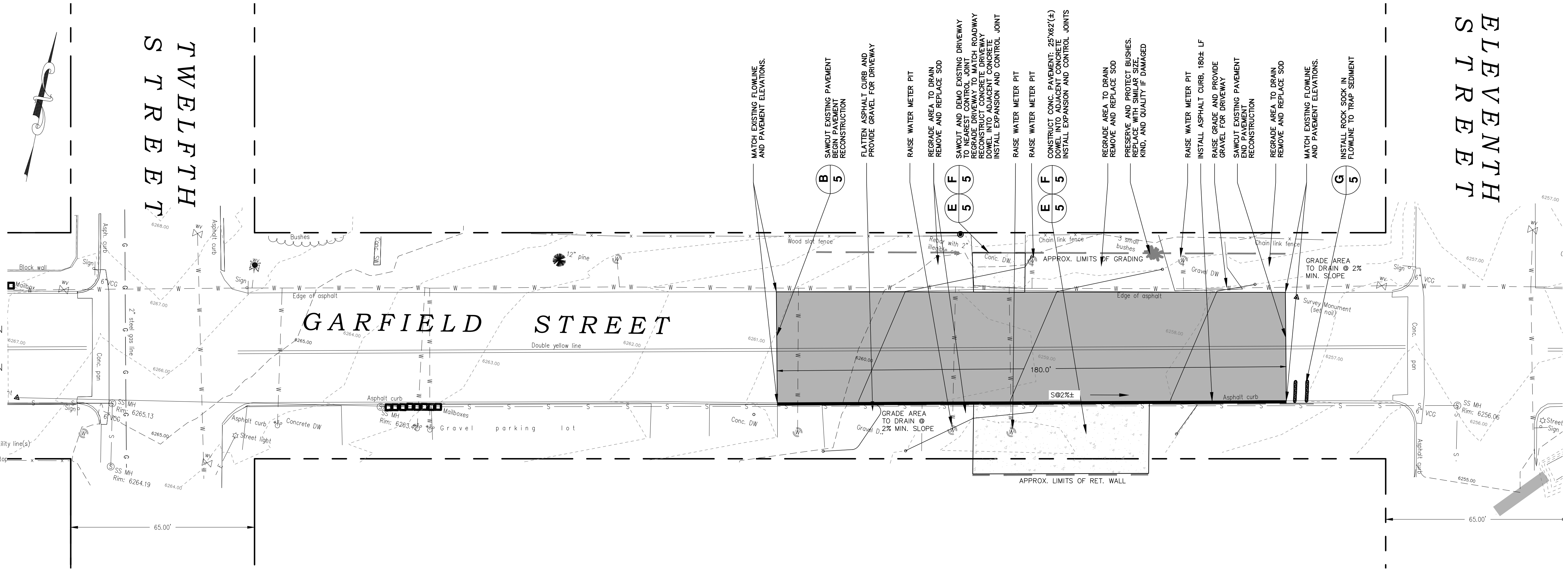


Know what's below.  
Call before you dig.

SCALE: 1" = 20'

LEGEND

- PAVEMENT RECONSTRUCTION
- CONCRETE RECONSTRUCTION
- G Buried gas line
- FO Buried fiber optic line
- W Buried water line
- SS Buried sanitary sewer line
- E Buried or overhead electric/utility line(s)
- Water shut of valve / curb stop
- Water meter pit
- Water valve
- Existing fire hydrant
- Utility pole
- Street sign
- Sanitary sewer manhole

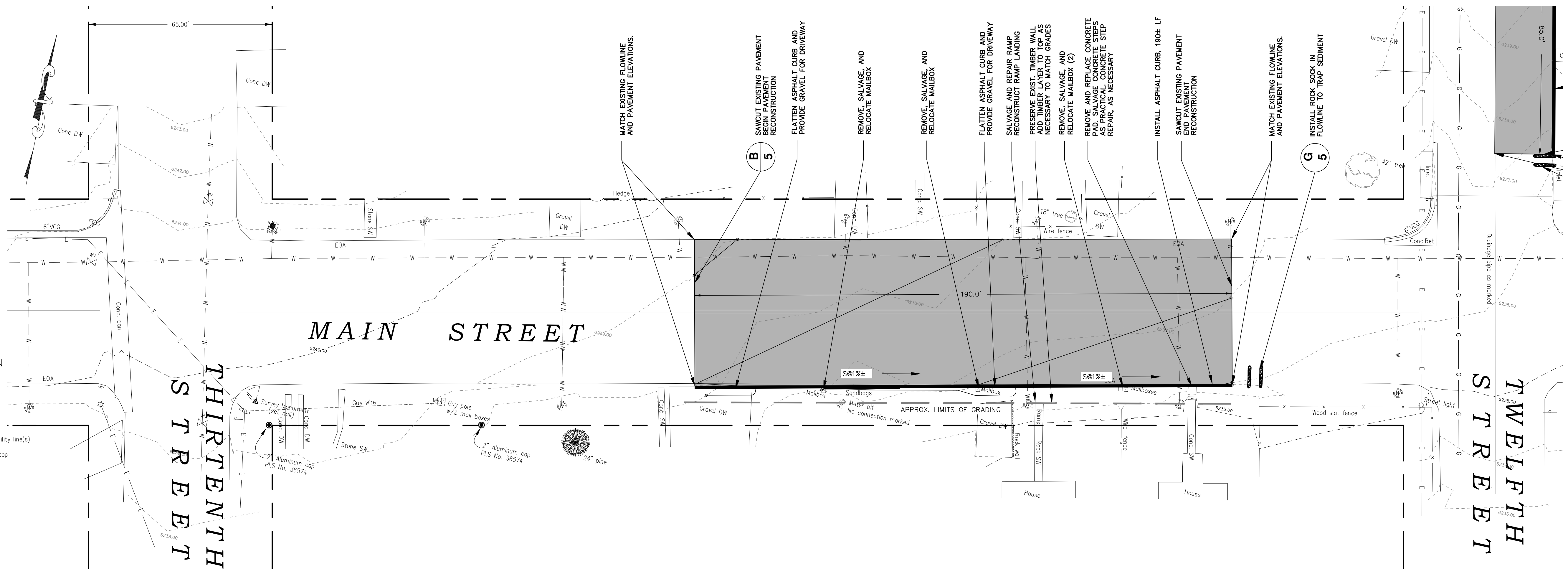


Know what's below.  
Call before you dig.

SCALE: 1" = 20'

LEGEND

- PAVEMENT RECONSTRUCTION
- CONCRETE RECONSTRUCTION
- G Buried gas line
- FO Buried fiber optic line
- W Buried water line
- SS Buried sanitary sewer line
- E Buried or overhead electric/utility line(s)
- Water shut of valve / curb stop
- Water meter pit
- Water valve
- Existing fire hydrant
- Utility pole
- Street sign
- Sanitary sewer manhole



**MOUNTAIN CROSS ENGINEERING, INC.**  
Civil and Environmental Consulting and Design  
826 1/2 Grand Avenue Glenwood Springs, CO 81601  
ph 970.945.5544 f 970.945.5558 www.mountaincross-eng.com



**Town of Meeker**  
**Street Repairs**  
**Garfield Street & Main Street**

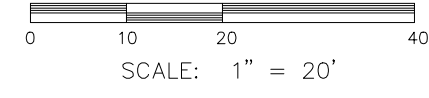


| REVISIONS | DATE | BY | COMMENTS |
|-----------|------|----|----------|
|           |      |    |          |
|           |      |    |          |
|           |      |    |          |

DATE: 03/23/26  
SCALE: 1"=20'  
ENGINEER: C. HALE  
DWG FILE: StreetRepairs  
JOB: 319-063  
SHEET: **C3**



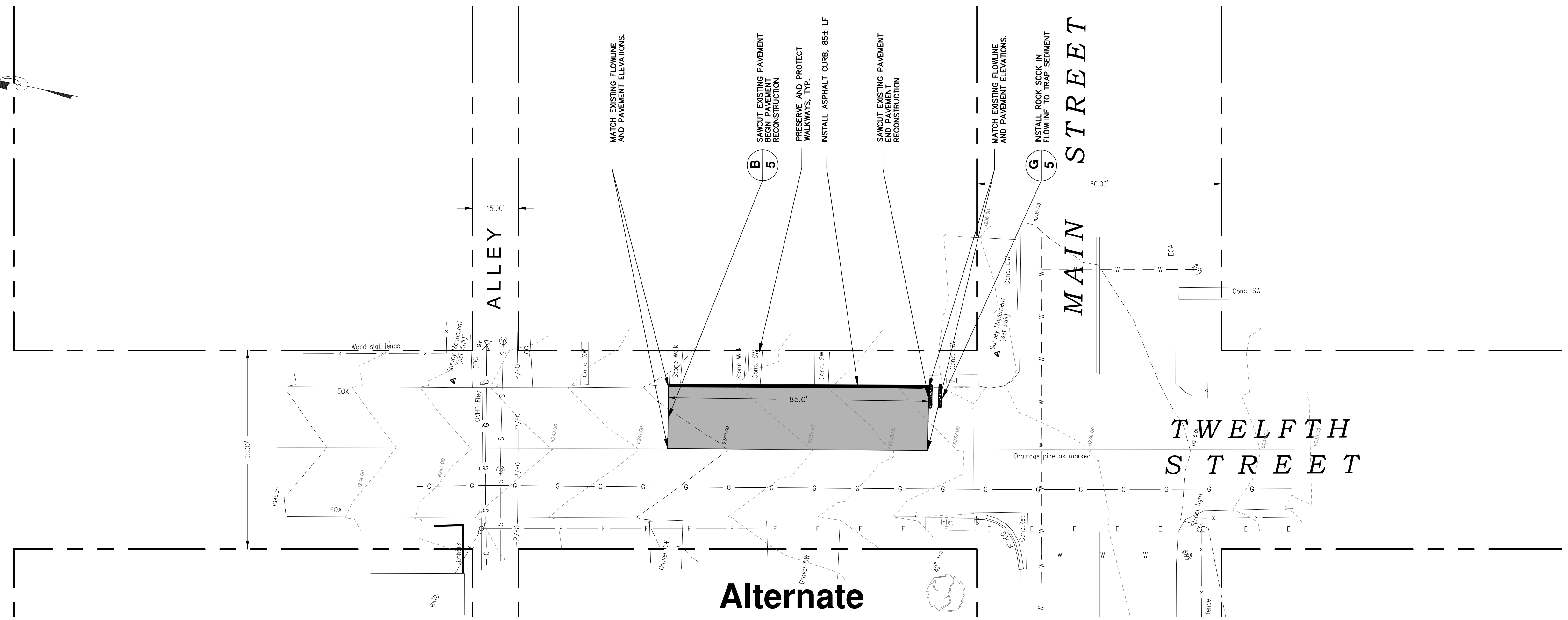
Know what's below.  
Call before you dig.



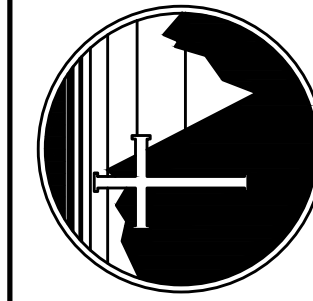
**LEGEND**

- PAVEMENT RECONSTRUCTION
- CONCRETE RECONSTRUCTION
- Buried gas line
- Buried fiber optic line
- Buried water line
- Buried sanitary sewer line
- Buried or overhead electric/utility line(s)
- Water shut of valve / curb stop
- Water meter pit
- Water valve
- Existing fire hydrant
- Utility pole
- Street sign
- Sanitary sewer manhole

Survey Monument



Alternate

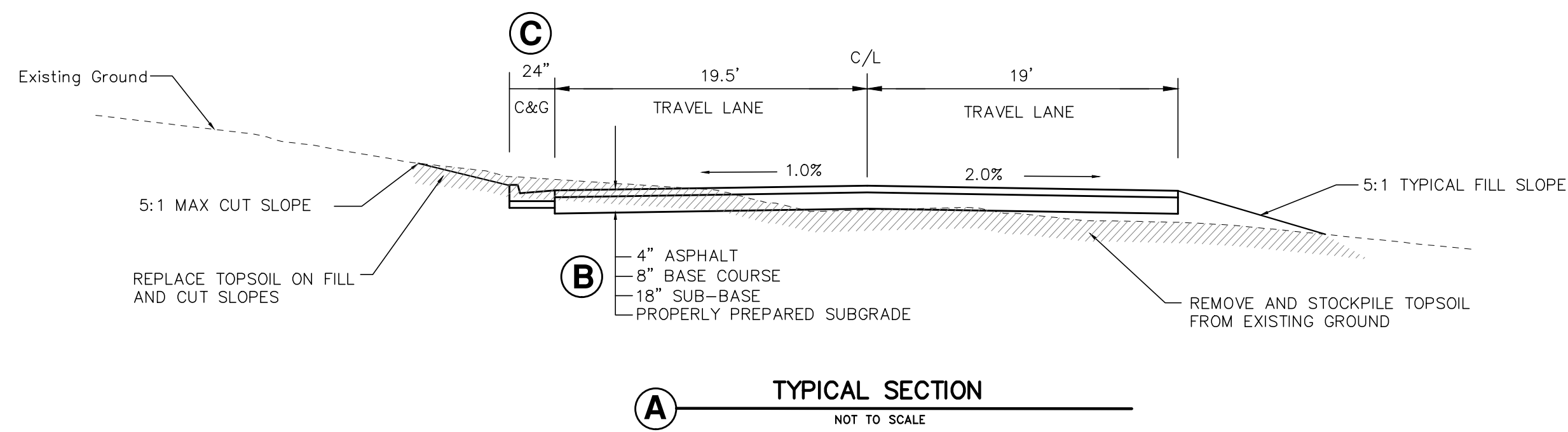


**Town of Meeker  
 Street Repairs  
 Twelfth Street**

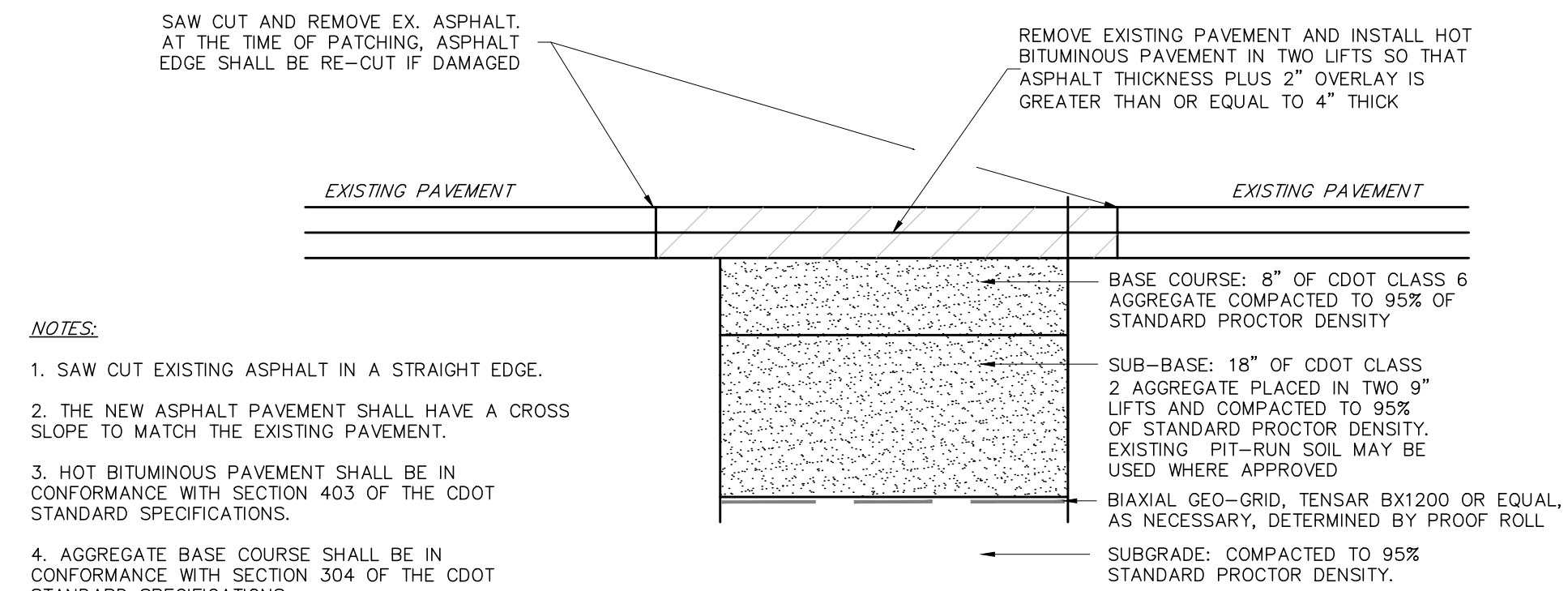


| DATE | BY | REVISIONS | COMMENTS |
|------|----|-----------|----------|
|      |    |           |          |
|      |    |           |          |
|      |    |           |          |

DATE 03/23/26  
 SCALE 1"=20'  
 ENGINEER C. HALE  
 DWG FILE StreetRepairs  
 JOB 319-063  
 SHEET **C4**

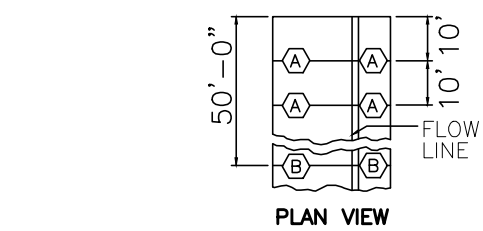
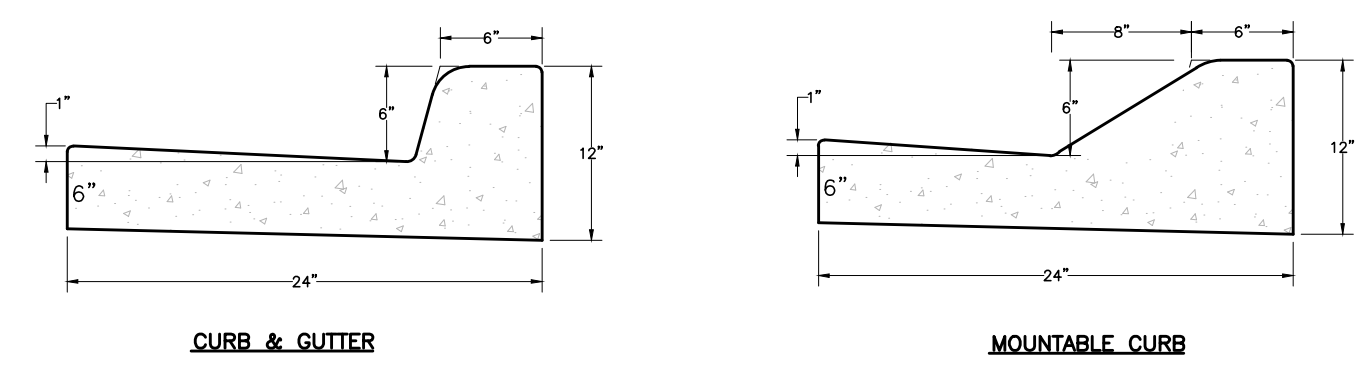


**(A)** TYPICAL SECTION  
NOT TO SCALE



- NOTES:**
1. SAW CUT EXISTING ASPHALT IN A STRAIGHT EDGE.
  2. THE NEW ASPHALT PAVEMENT SHALL HAVE A CROSS SLOPE TO MATCH THE EXISTING PAVEMENT.
  3. HOT BITUMINOUS PAVEMENT SHALL BE IN CONFORMANCE WITH SECTION 403 OF THE CDOT STANDARD SPECIFICATIONS.
  4. AGGREGATE BASE COURSE SHALL BE IN CONFORMANCE WITH SECTION 304 OF THE CDOT STANDARD SPECIFICATIONS.

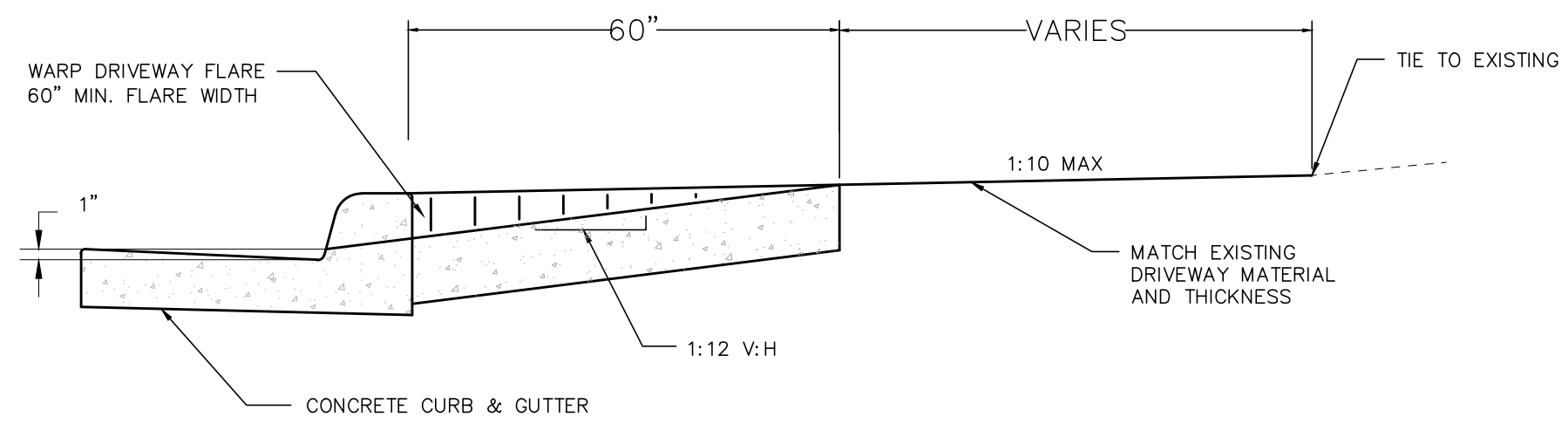
**(B)** PAVEMENT RECONSTRUCTION SECTION  
NOT TO SCALE



- (A)** SAW JOINT, FILL WITH BITUMASTIC JOINT SEALANT  
**(B)** 1/2" EXPANSION JOINT AT 50' INTERVALS.

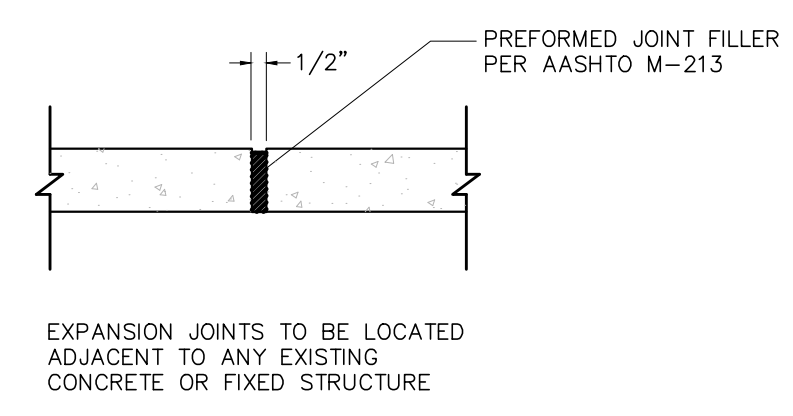
INSTALL ON 6" OF CLASS 6 AGGREGATE COMPACTED TO 95% OF MAXIMUM STANDARD PROCTOR DENSITY.

**(C)** CURB AND GUTTER  
NOT TO SCALE



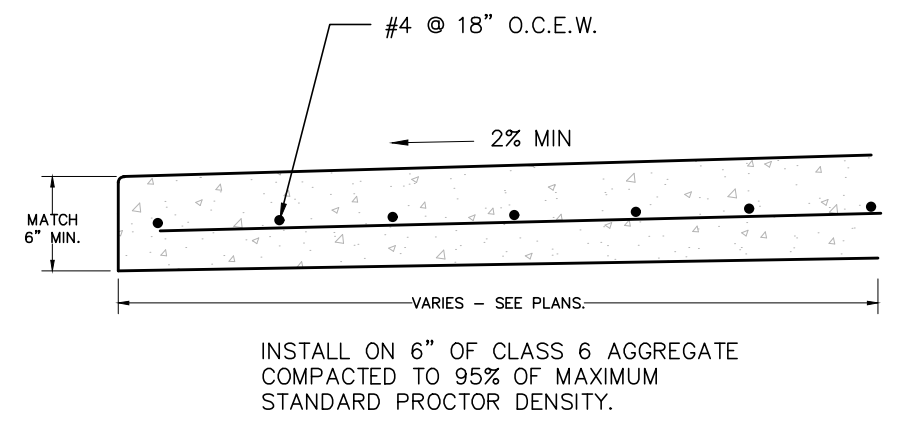
INSTALL ON 6" OF CLASS 6 AGGREGATE COMPACTED TO 95% OF MAXIMUM STANDARD PROCTOR DENSITY.

**(D)** DRIVEWAY  
NOT TO SCALE

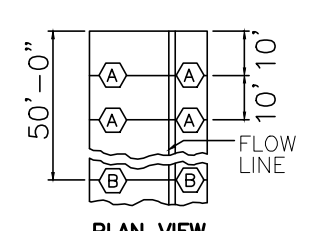


EXPANSION JOINTS TO BE LOCATED ADJACENT TO ANY EXISTING CONCRETE OR FIXED STRUCTURE

**(E)** EXPANSION JOINT  
NOT TO SCALE

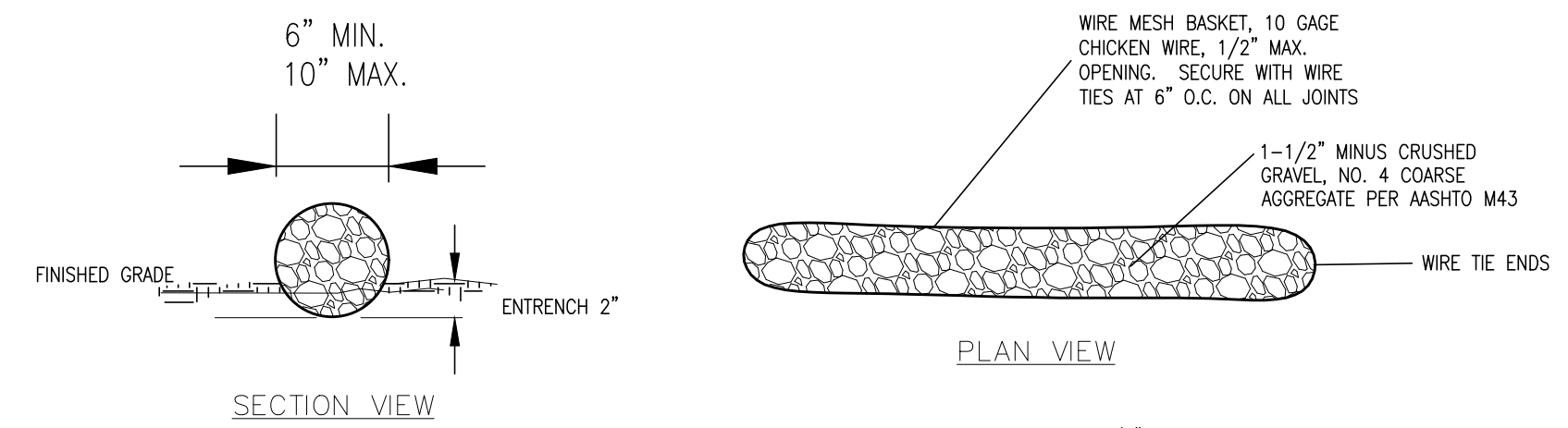


INSTALL ON 6" OF CLASS 6 AGGREGATE COMPACTED TO 95% OF MAXIMUM STANDARD PROCTOR DENSITY.



- (A)** SAW JOINT, FILL WITH BITUMASTIC JOINT SEALANT  
**(B)** 1/2" EXPANSION JOINT AT 50' INTERVALS.

**(F)** CONCRETE FLATWORK  
NOT TO SCALE



FILL GAPS WITH 1-1/2" MINUS CRUSHED GRAVEL AND WRAP ADDITIONAL WIRE MESH AROUND ENDS OF ROCK SOCKS

**(G)** ROCK SOCK  
NOT TO SCALE



| REVISIONS | DATE | BY | COMMENTS |
|-----------|------|----|----------|
|           |      |    |          |
|           |      |    |          |
|           |      |    |          |

DATE 03/23/26  
SCALE 1"=20'  
ENGINEER C. HALE  
DWG FILE StreetRepairs  
JOB 319-063  
SHEET